

ERD9 SERIES 10x10 SIZE SEALED CONSTRUCTION ROTARY TYPE

PIN OUT (3:3)



**ERD 9XXXM
(SMT Type)**



**ERD 9XXXS
(Through Hole Type)**



**ERD AXXXX
(Shaft Type)**



**ERD 9XXXF/R
(Right Angle Type)**

FEATURES

- Molded-in terminals and fully sealed construction.
- All plastics UL 94V-0 grade fire retardant.
- Reliable contact and long-term stability.
- Binary decimal (10 positions) and hexadecimal (16 positions), real and complementary codes available.
- Pin-out is compatible with most of current equivalents.
- Gold plated contact to ensure low contact resistance.
- RoHS Compliant

APPLICATIONS

- Address switching applications
- Data storage devices
- Computer and peripherals
- Instrumentation

SPECIFICATIONS

1.ELECTRICAL

● Contact rating	switching	150mA, 42VDC
	non-switching	200mA
● Contact resistance (initial)		80mΩ Max.
● Insulation resistance		1000MΩ Min. at 100VDC
● Dielectric strength		250VAC Min. for 60 seconds

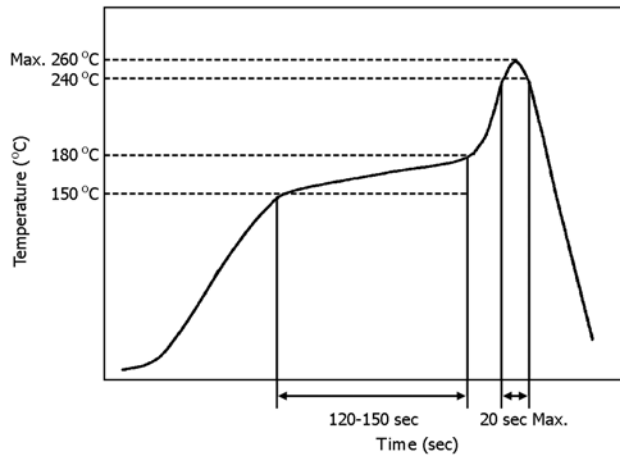
2.MECHANICAL AND ENVIRONMENTAL

● Temperature rating	operating	-40°C to +85°C
	storage	-40°C to +85°C
● Operation force		500 gf-cm Max.



Switch

● Mechanical life	10,000 steps
● Vibration	10Hz-55Hz-10Hz for 6 Hrs.
● Solderability (for through hole type)	After flux 245±5°C for 5±1 seconds
● Resistance to soldering heat (for through hole type)	260±5°C for 5±1 seconds
● Reflow soldering heat for SMT type (reference only)	240°C for 20 seconds or less, peak temperature 260°C or less



■ PART NUMBERING SYSTEM

ERD 9 16 R S 04 Z

- Z: RoHS Compliant
- Special number:
 - None: Standard type
 - 04: Straight Pin (Terminals)
- Setting:
 - S: Standard type (Top Adjust type)
 - R: Right Angle type with row spacing 2.54 mm
 - F: Right Angle type with row spacing 5.08 mm
 - M: Surface mounting type with Top Tape Sealed
 - D: Surface mounting type with Top Tape Sealed in Tape & Reel Package
- Code:
 - R: Real
 - C: Complement
 - A: Real / Cross shaped slot type
 - B: Complement / Cross shaped slot type
- Number of positions: 10, 16
- Rotor:
 - 9: Flat type (pin out 3 :3)
 - A: Shaft type (pin out 3:3)
- Series name: ERD (Rotary Type Sealed Construction)



Switch

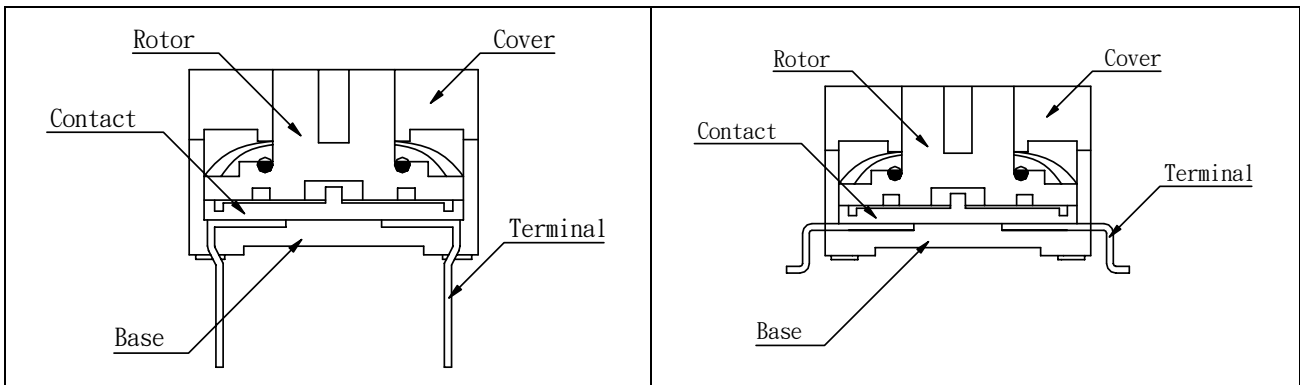
CODE

PIN NO.	POSITIONS															
	0	1	2	3	4	5	6	7	8	9	A	B	C	D	E	F
1	○	●	○	●	○	●	○	●	○	●	○	●	○	●	○	●
2	○	○	●	●	○	○	●	●	○	○	●	●	○	○	●	●
4	○	○	○	○	●	●	●	●	○	○	○	○	●	●	●	●
8	○	○	○	○	○	○	○	○	●	●	●	●	●	●	●	●

●... Real Code
Rotor color:
Gray (3:3)

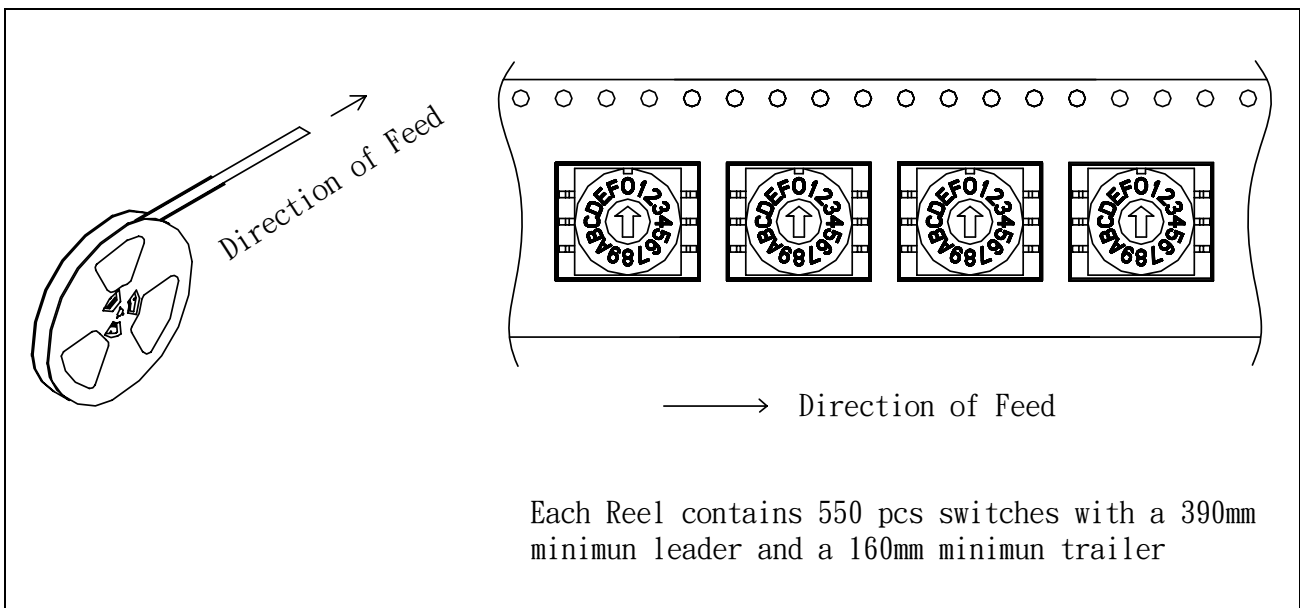
○... Complement Code
Rotor color:
White (3:3)

CONSTRUCTION



PACKING

1. Tape & Reel Packaging (Per EIA STANDARD)



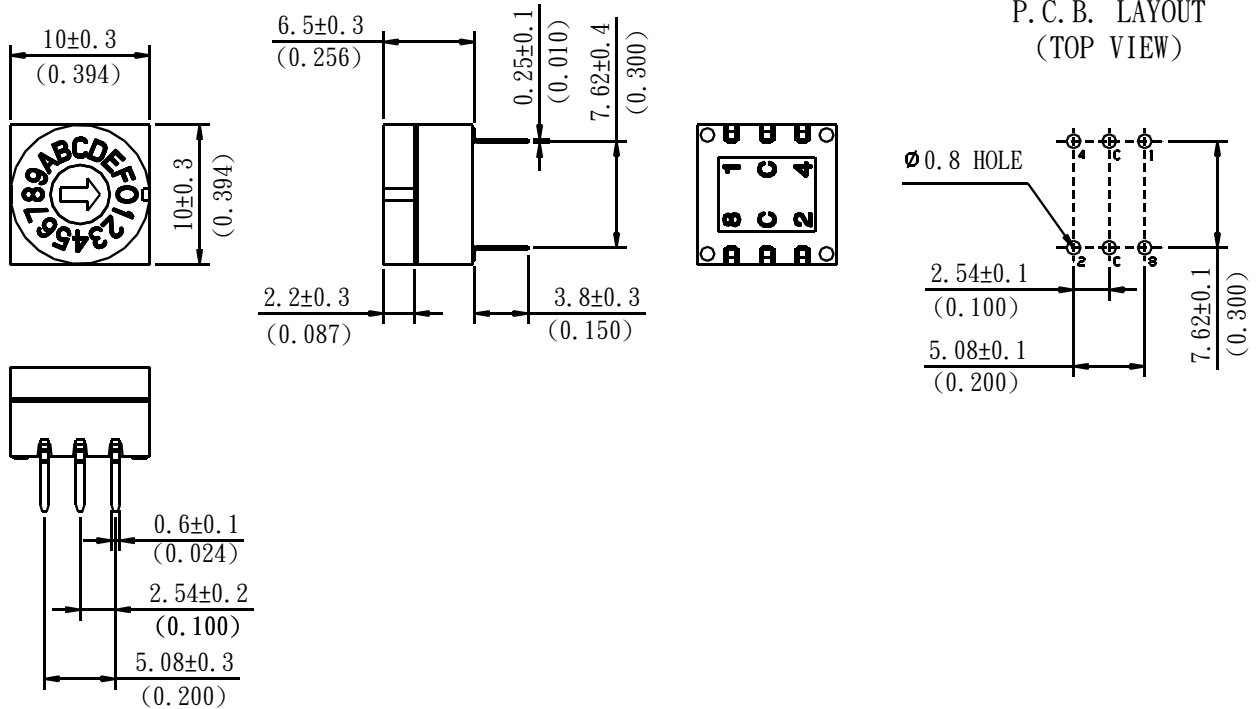


INTRODUCTION to ECE ROTARY DIP SWITCH

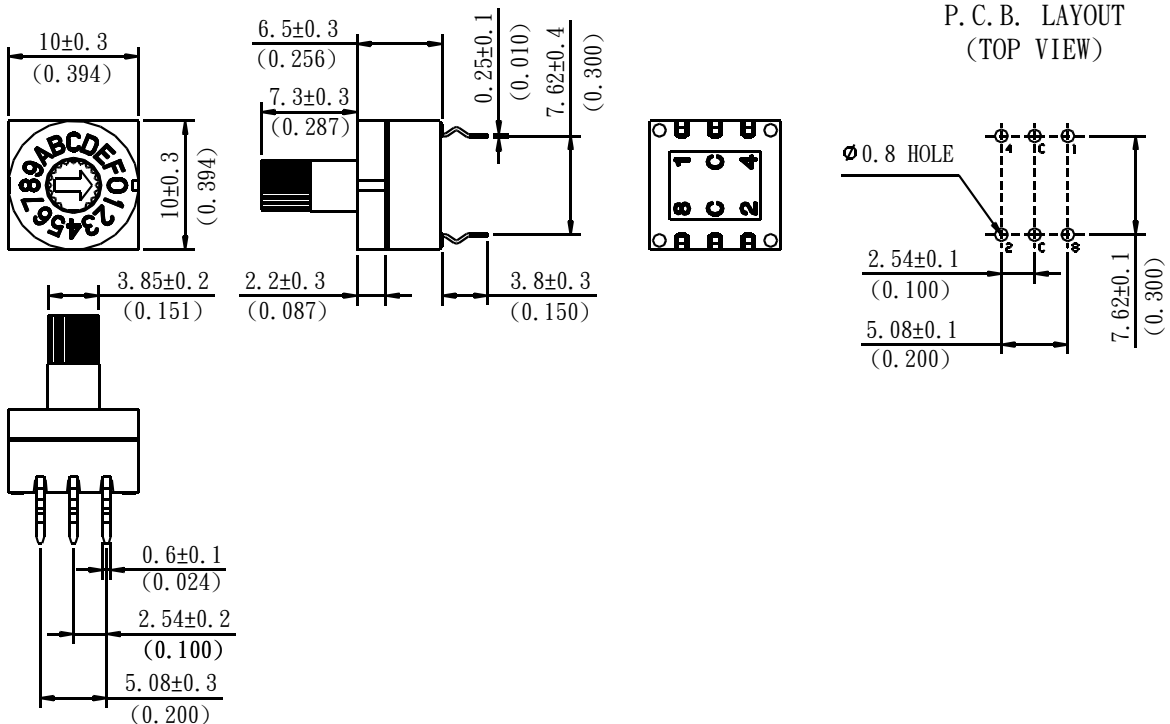
SIZE	POSITIONS	CODE	PIN OUT	ROTOR	TYPE	PART NUMBER
10x10	10,16	REAL, COMPLEMENT	3:3	FLAT, SHAFT	STANDARD	ERD9xxxS, ERDAxxxS
					RIGHT ANGLE	ERD9xxxR/F, ERDAxxxR/F
				FLAT	SMT	ERD9xxxM, ERDAxxxM
					SMT IN T&R	ERD9xxxD

■ DIMENSIONS AND CIRCUITRY UNIT:mm(inch) PIN OUT 3:3

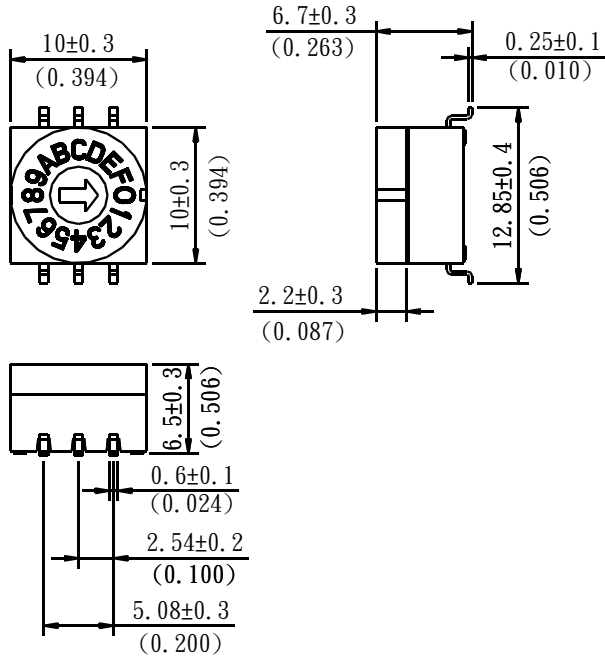
ERD9XXS04Z Flat Type



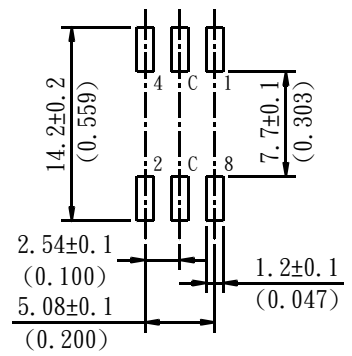
ERDAXXSZ Shaft Type



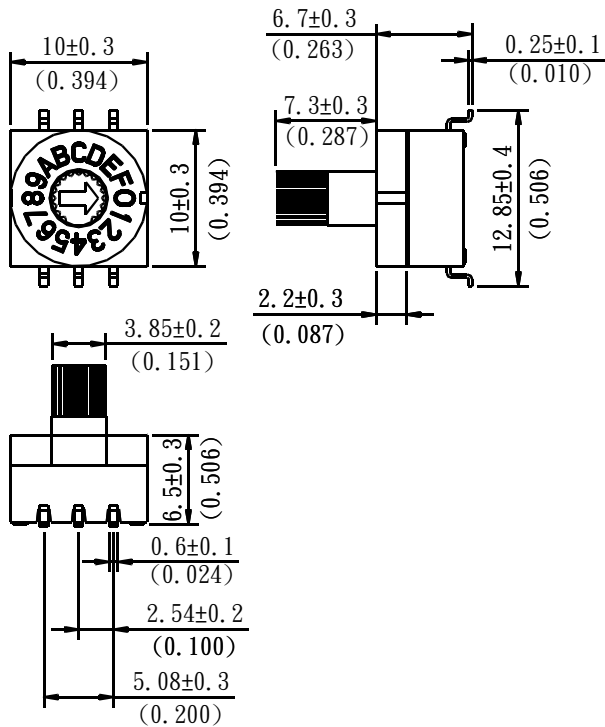
ERD9XXMZ Flat Type



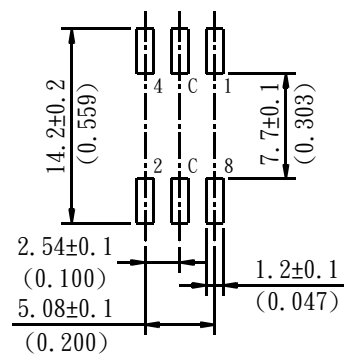
P. C. B. LAYOUT (TOP VIEW)



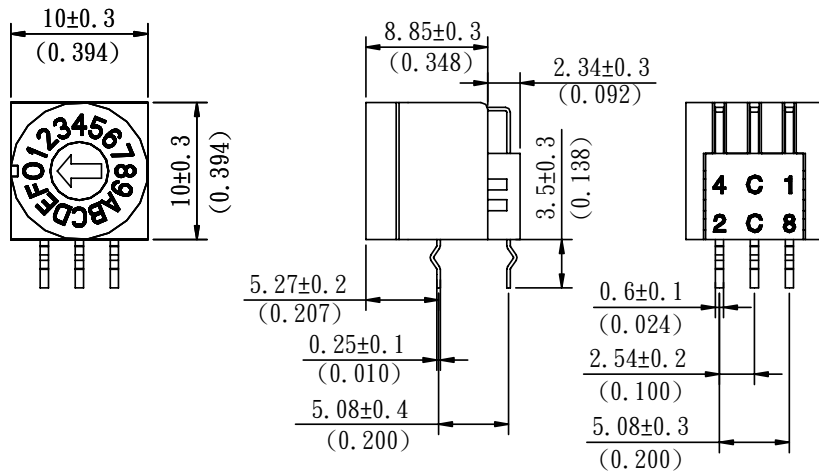
ERDAXXMZ Shaft Type



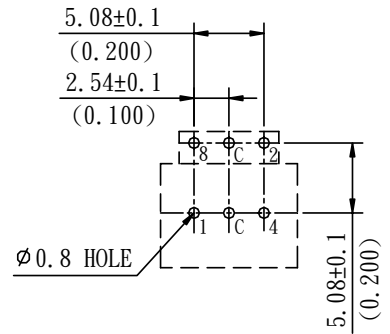
P. C. B. LAYOUT (TOP VIEW)



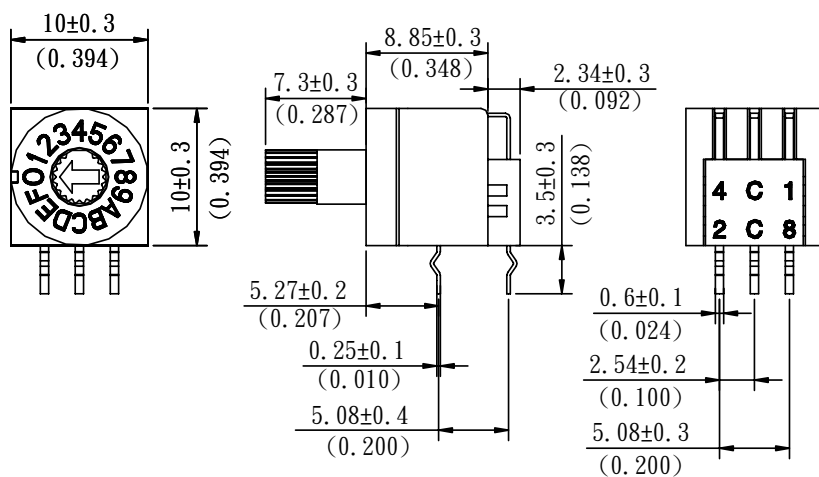
ERD9XXXFZ Flat Type



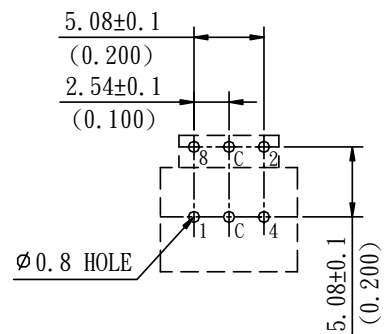
P. C. B. LAYOUT (TOP VIEW)



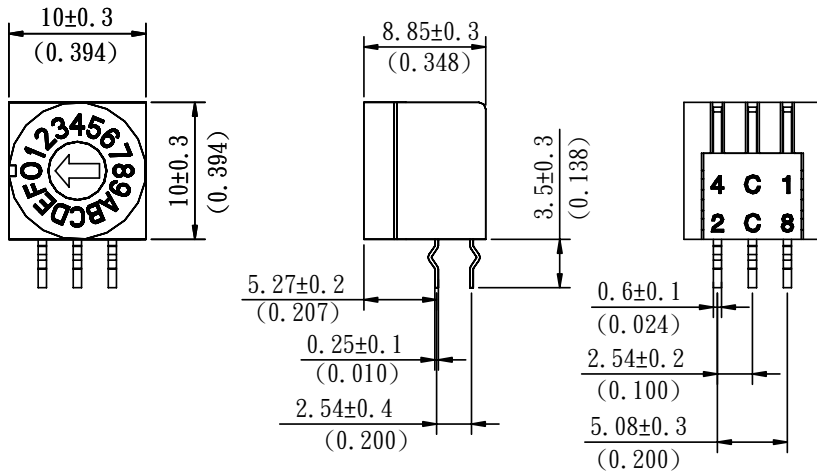
ERDAXXXFZ Shaft Type



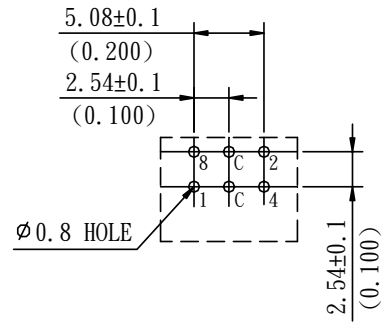
P. C. B. LAYOUT (TOP VIEW)



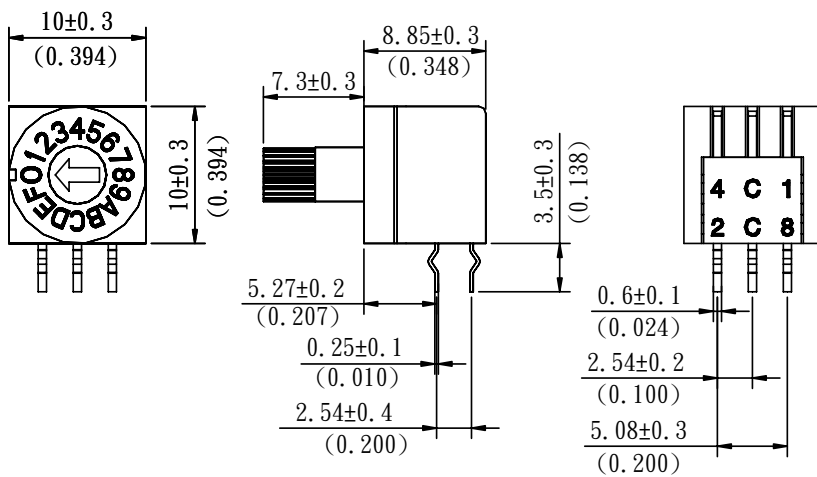
ERD9XXXRZ Flat Type



P. C. B. LAYOUT (TOP VIEW)



ERDAXXRZ Shaft Type



P. C. B. LAYOUT (TOP VIEW)

