

WIRE TO P.C.B. TYPE TERMINAL BLOCK

E133988(R)

ETB56 SERIES

**MOUNT ENDS WITH COVER TYPE /
DOVETAIL WITH COVER TYPE**

PITCH=7.62mm

■ FEATURES

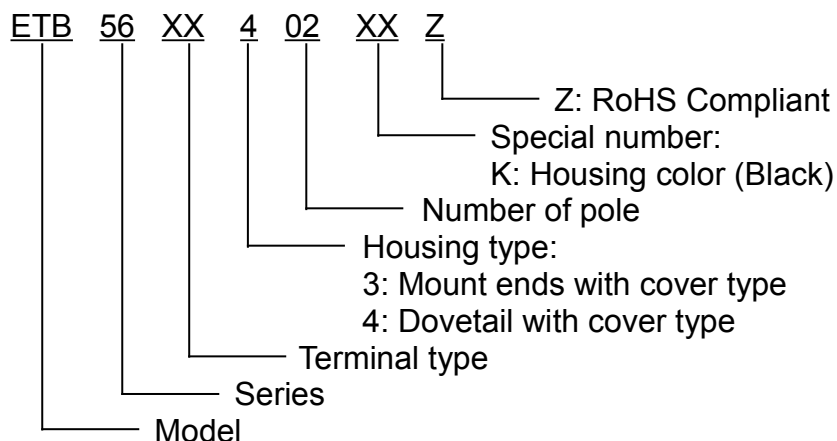
- Safety cover design for preventing electric shock hazard
- Easy to assemble for any number of positions
- End stackable without any loss of P.C.B. space
- Special wire protector design to ensure reliable wire clamping
- UL 94V-0 grade fire retardant engineering plastic used for the housing
- Be capable of clamping a wide range of wire diameters
- Compact size for P.C.B.

■ SPECIFICATIONS

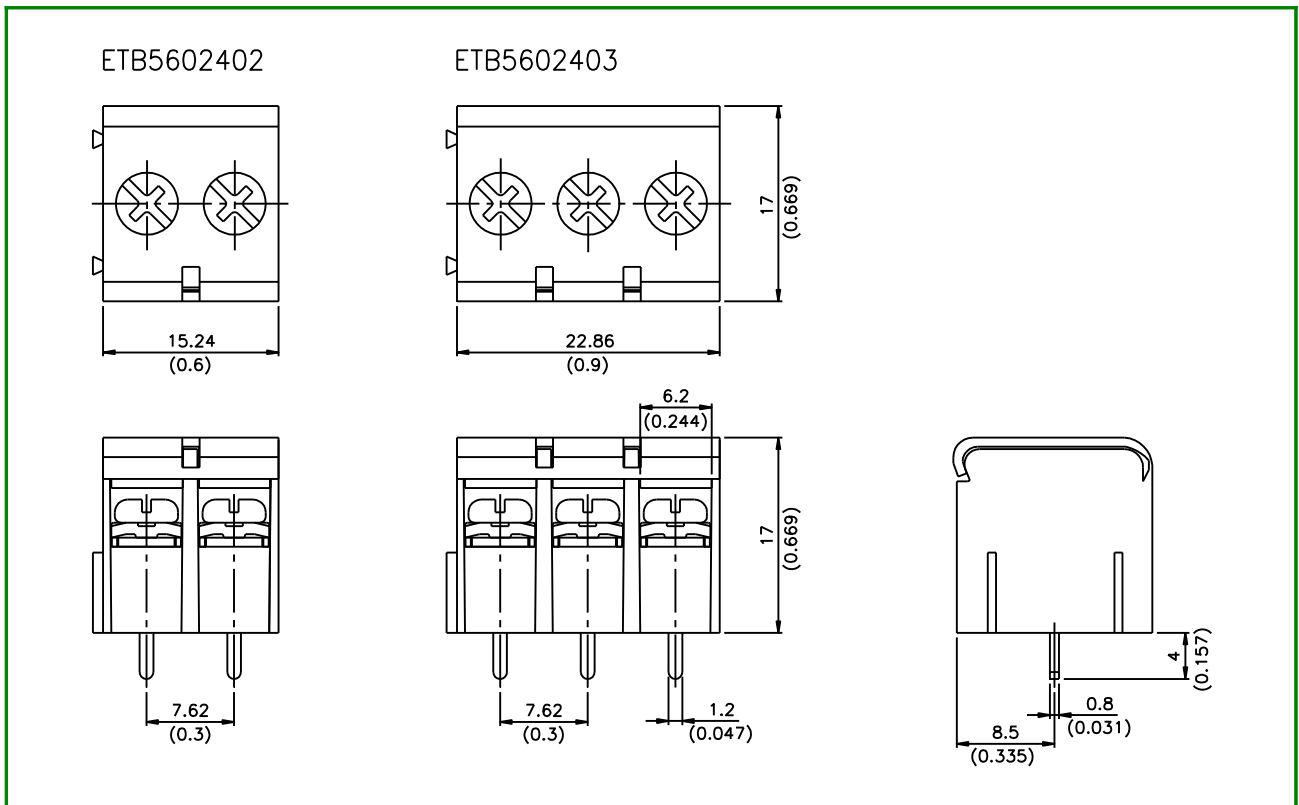
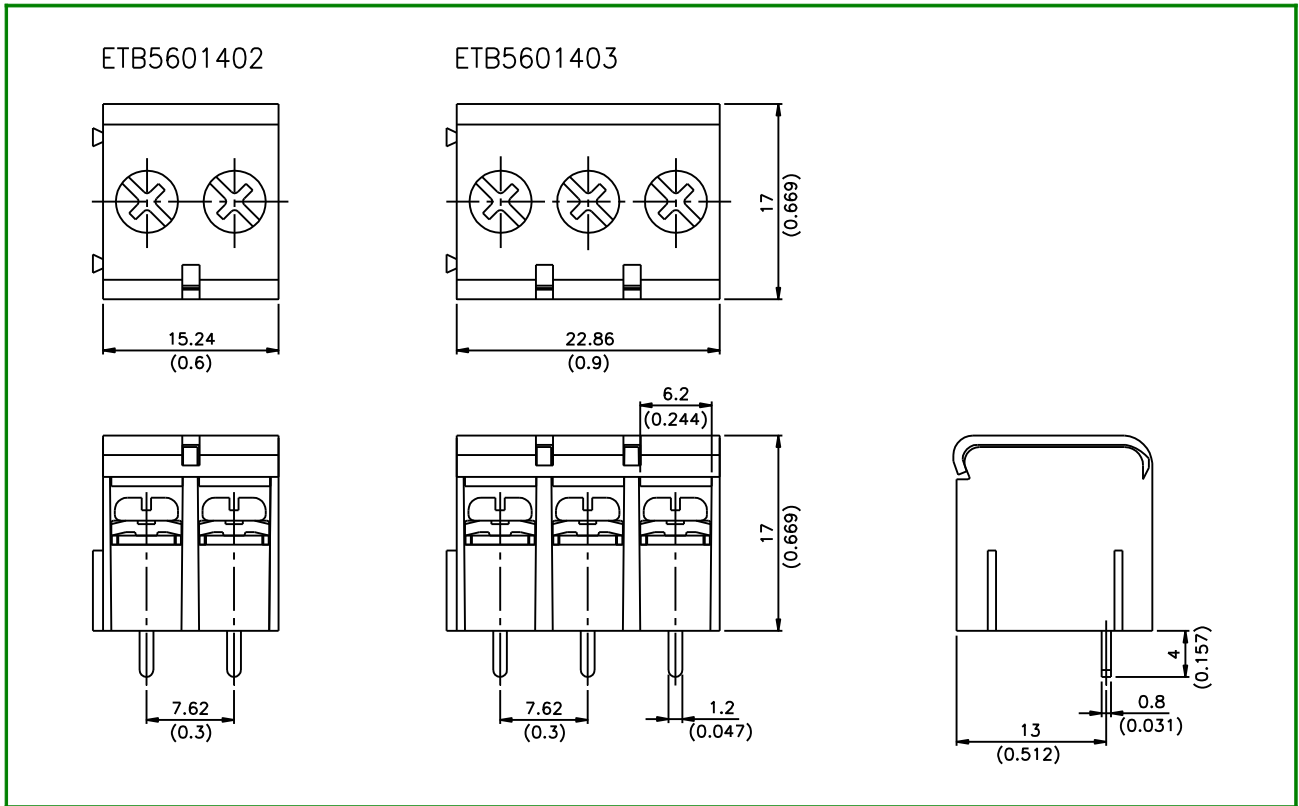
- Pitch 7.62mm (0.3 inch)
- Wire range 16~22 AWG
- Rating 14 Amp, 300 VAC
- Housing material Polyamide 66 resin (UL 94V-0)
- Terminals Tin plated over Brass
- Screws Nickel plated over Steel
- Dielectric strength 2000 VAC (Min.)
- Insulation resistance 1000 MΩ, 500 VDC
- Operating temperature -30°C~+110°C
(includes temperature rise limit)



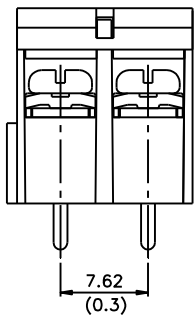
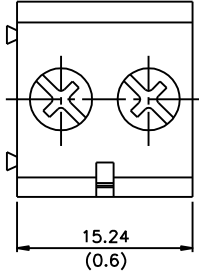
■ PART NUMBERING SYSTEM



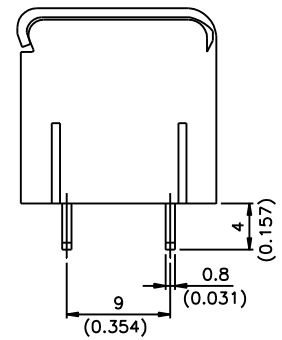
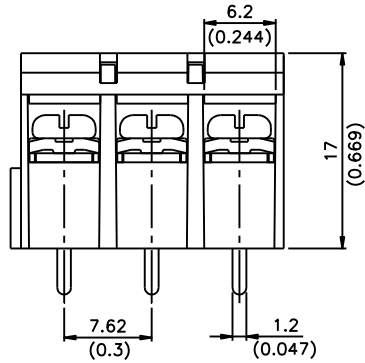
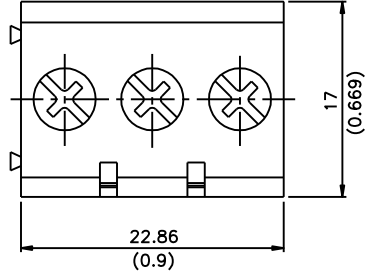
■ DRAWING (DOVETAIL WITH COVER TYPE)



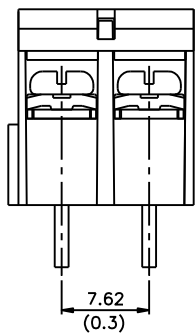
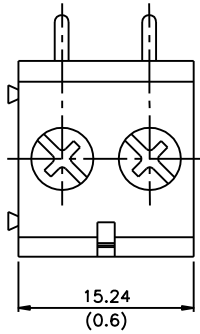
ETB5603402



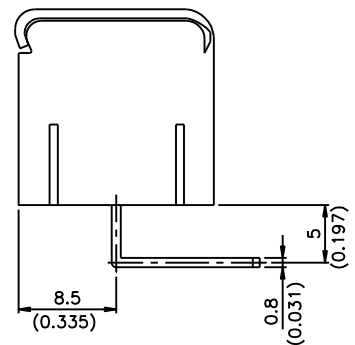
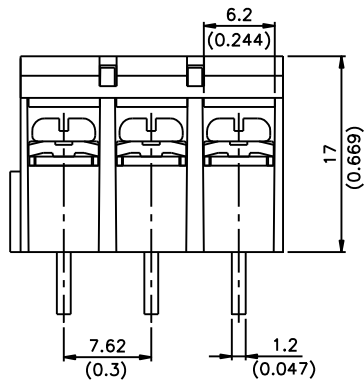
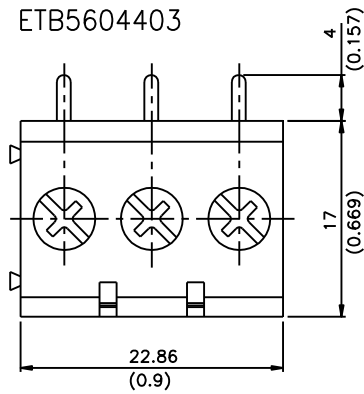
ETB5603403



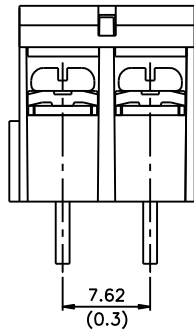
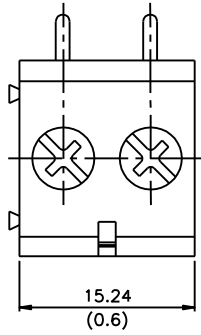
ETB5604402



ETB5604403



ETB5605402



ETB5605403

