



# Terminal Block

## WIRE TO P.C.B. TYPE TERMINAL BLOCK

E133988(R)

ETB58 SERIES

BARRIER TYPE

PITCH=7.62mm

### FEATURES

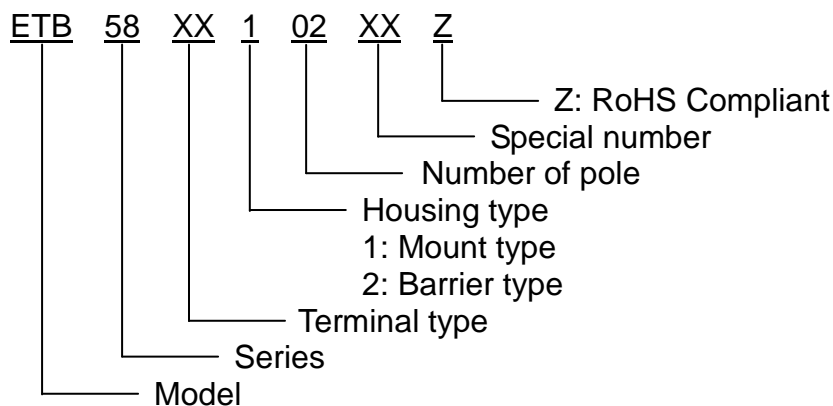
- Can be supplied in any number of positions
- Special wire protector design to ensure reliable wire clamping
- UL 94V-0 grade fire retardant engineering plastic used for the housing
- Be capable of clamping a wide range of wire diameters
- Wide choice of pitch & terminal

### SPECIFICATIONS

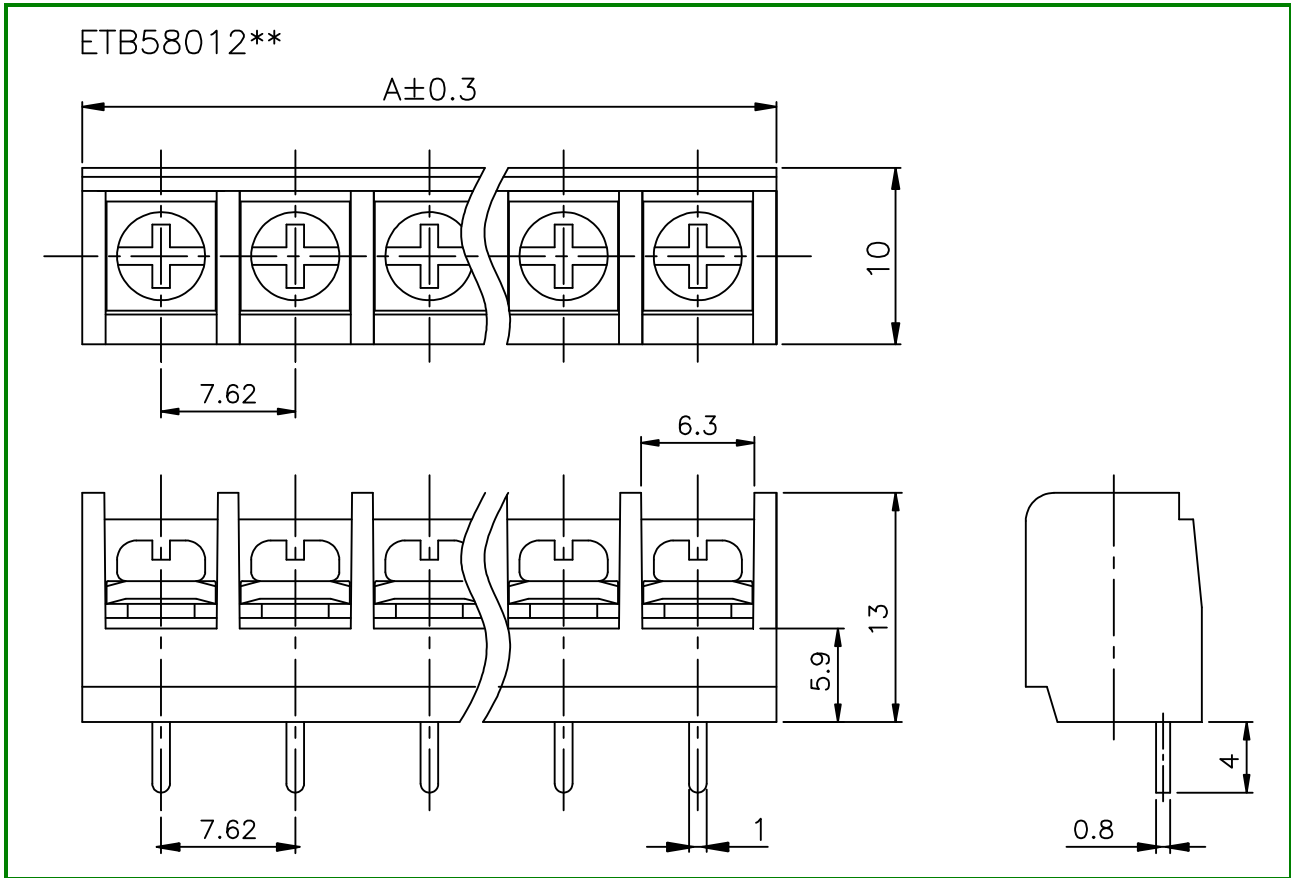
- Pitch 7.62mm (0.3 inch)
- Wire range 16~22 AWG
- Rating 10 Amp, 300 VAC
- Housing material Thermoplastic (UL 94V-0) Black
- Terminals Tin plated over Brass
- Screws Nickel plated over Steel
- Dielectric strength 2000 VAC (Min.)
- Insulation resistance 1000 M $\Omega$ , 500 VDC



### PART NUMBERING SYSTEM



## ■ DRAWING (BARRIER TYPE)



mm to inch

mm	0.8	1	1.32	4	5.9	7.62	10	13
inch	0.031	0.039	0.052	0.157	0.232	0.300	0.394	0.512

DIMENSIONS OF BARRIER TYPE

\*\*NUMBER OF POLE 03~09.

POLE DIM.	3	4	5	6	7	8	9
A±0.3	24.18 (0.952)	31.80 (1.252)	39.42 (1.552)	47.04 (1.852)	54.66 (2.152)	62.28 (2.452)	69.90 (2.752)