

WIRE TO P.C.B. TYPE TERMINAL BLOCK

TÜV R50008092
E133988(R)

ETB53 SERIES

MOUNT TYPE / BARRIER TYPE

PITCH=10mm

FEATURES

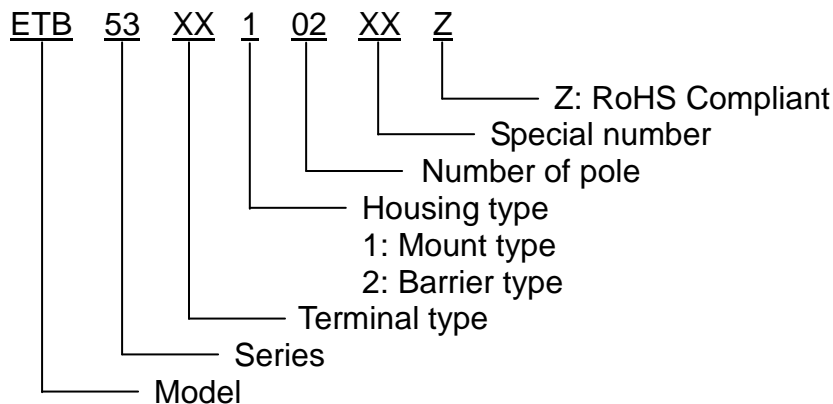
- Can be supplied in any number of positions
- Special wire protector design to ensure reliable wire clamping
- UL 94V-0 grade fire retardant engineering plastic used for the housing
- Be capable of clamping a wide range of wire diameters
- Wide choice of pitch & terminal

SPECIFICATIONS

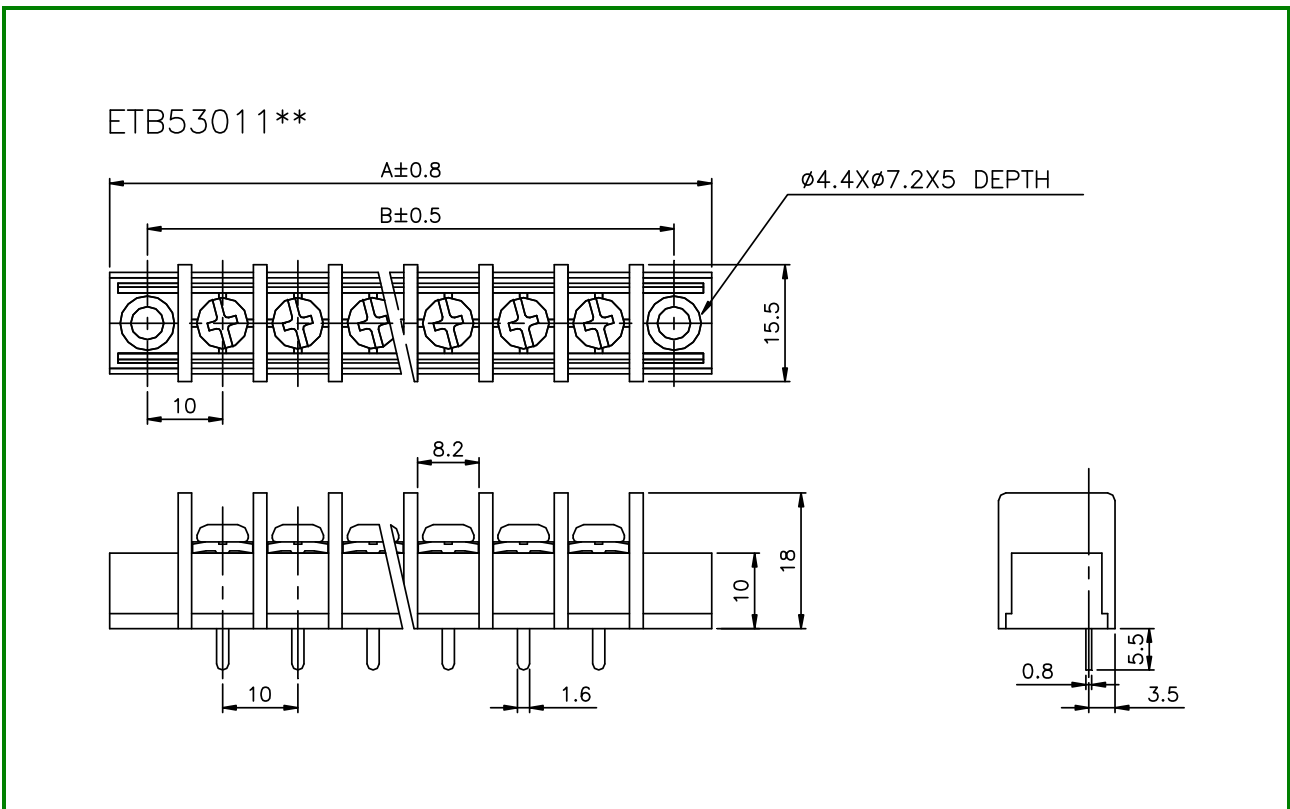
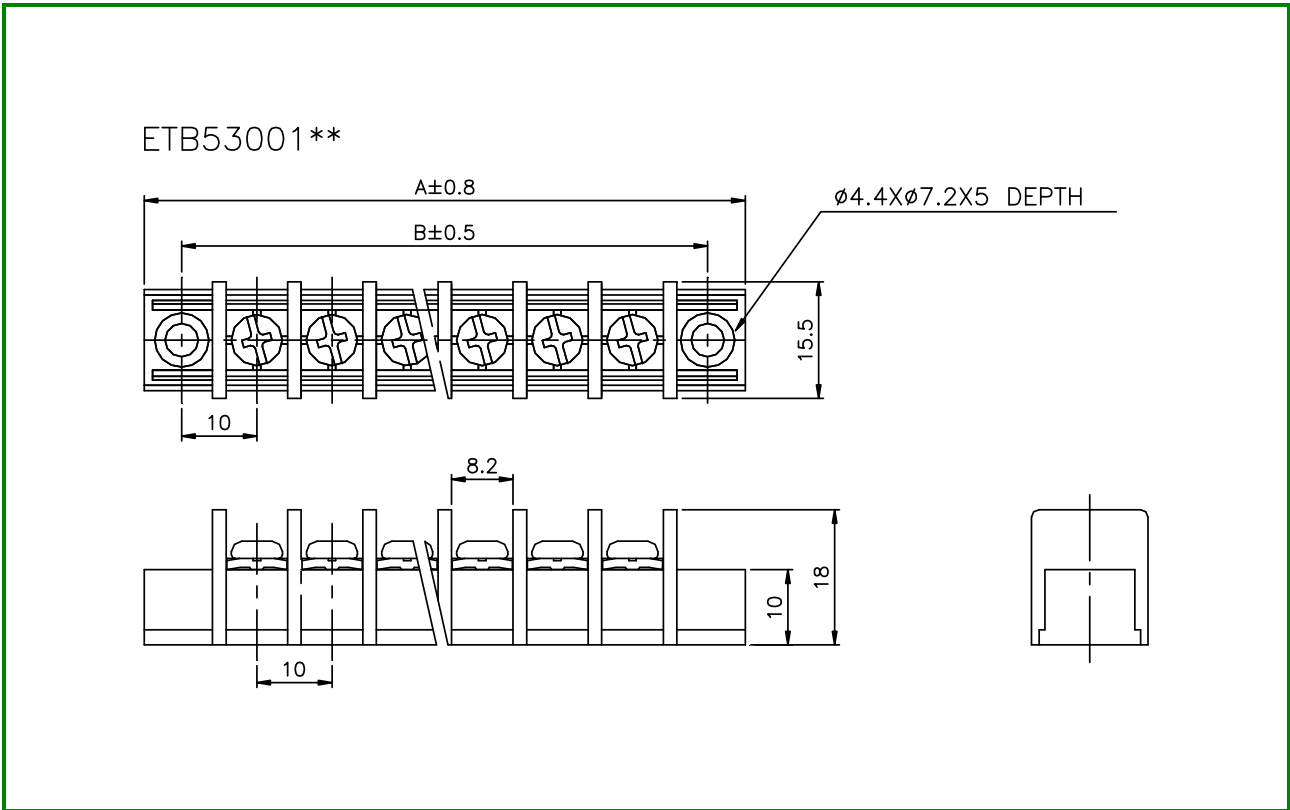
- Pitch 10mm (0.394 inch)
- Wire range 14~22 AWG
- Rating 20 Amp, 300 VAC
- Housing material Thermoplastic (UL 94V-0) Black
- Terminals Tin plated over Brass
- Screws Nickel plated over Steel
- Dielectric strength 2000 VAC (Min.)
- Insulation resistance 1000 MΩ, 500 VDC



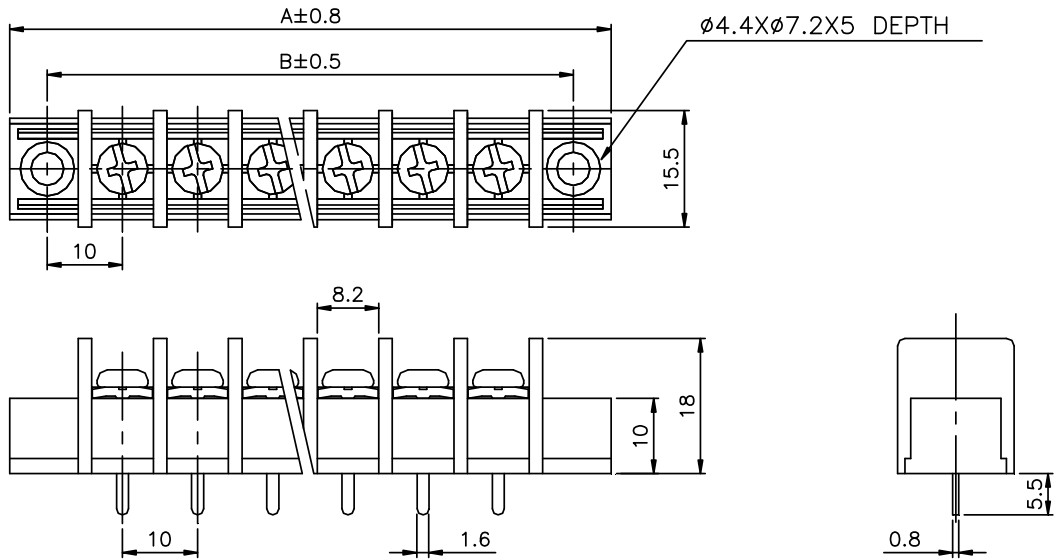
PART NUMBERING SYSTEM



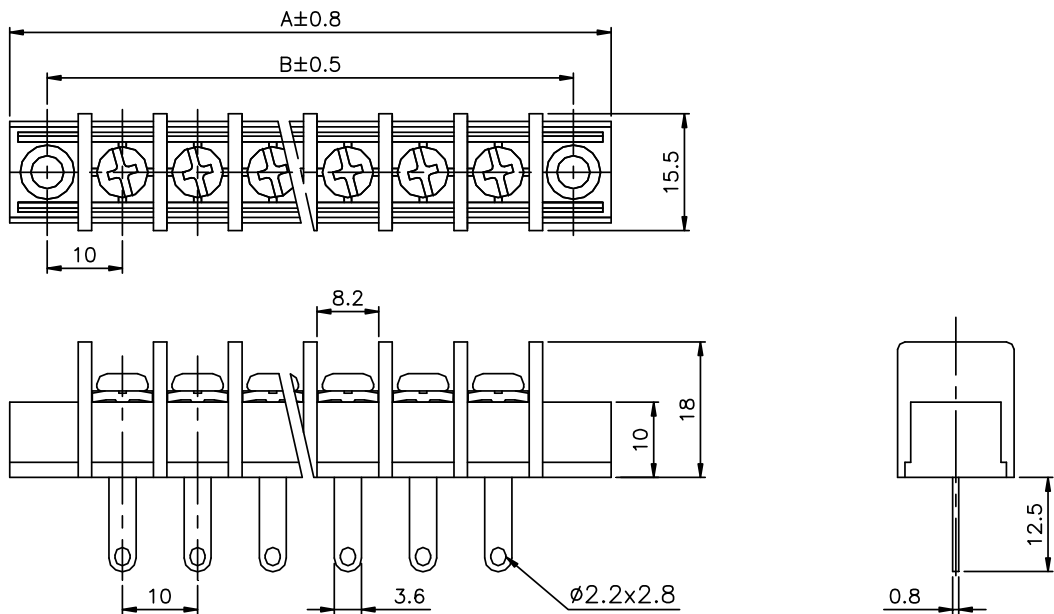
■ DRAWING (MOUNT TYPE)



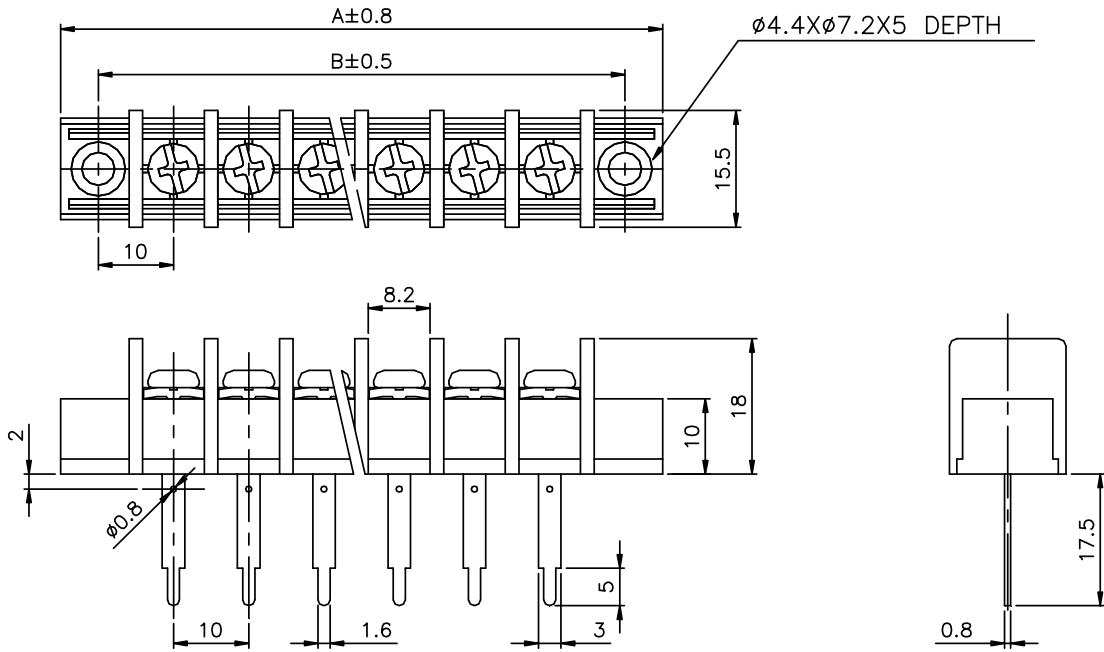
ETB53021**



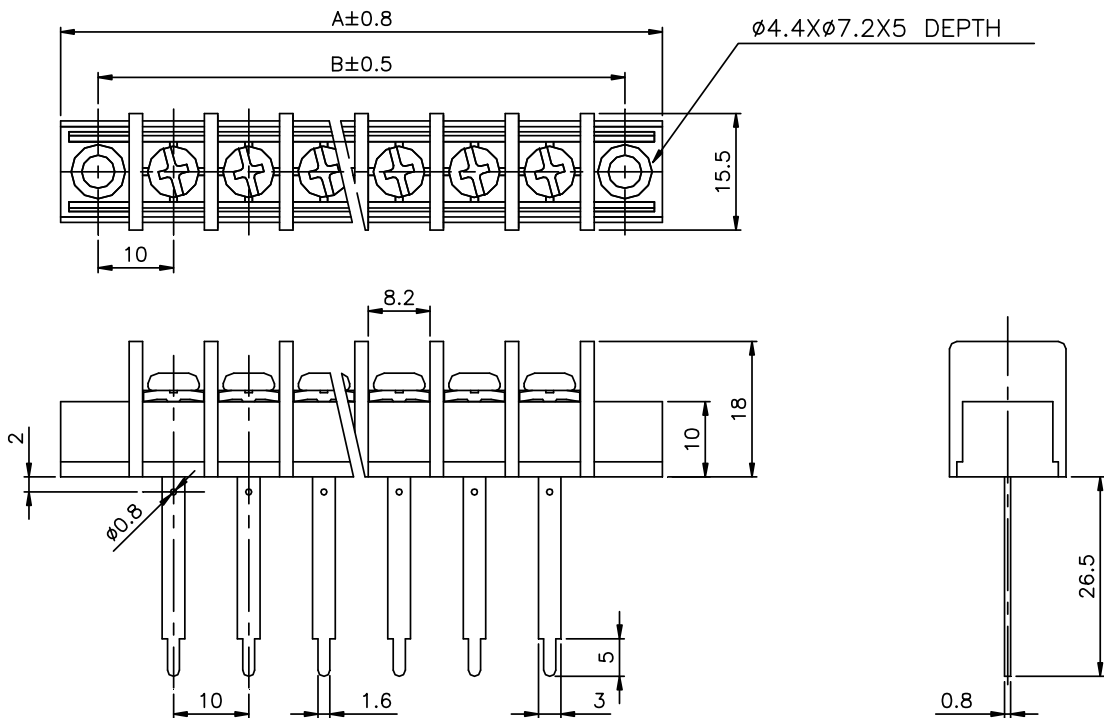
ETB53031**



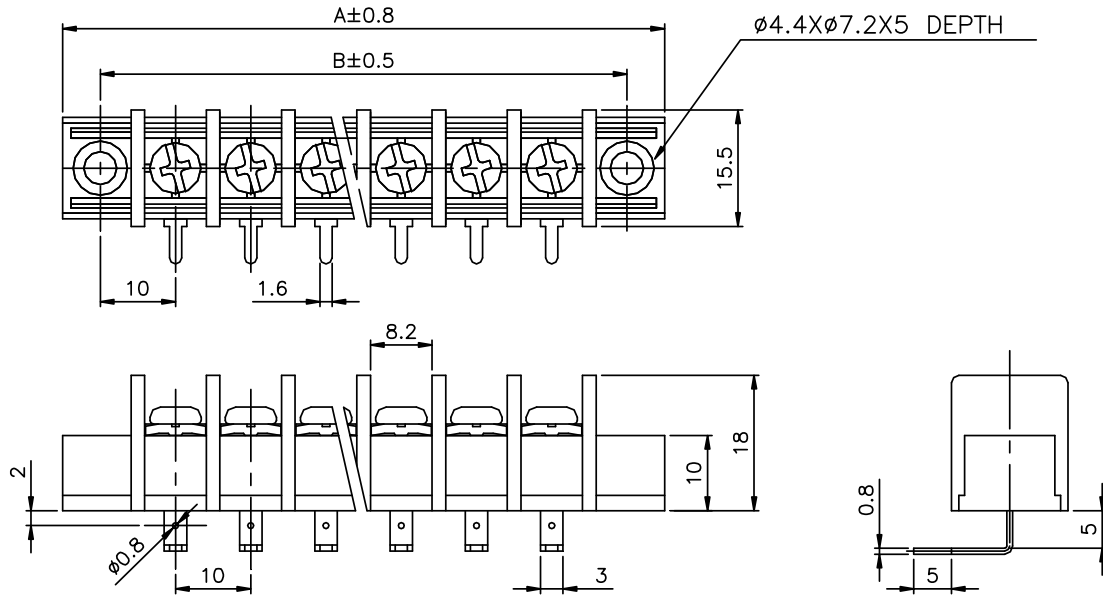
ETB53051**



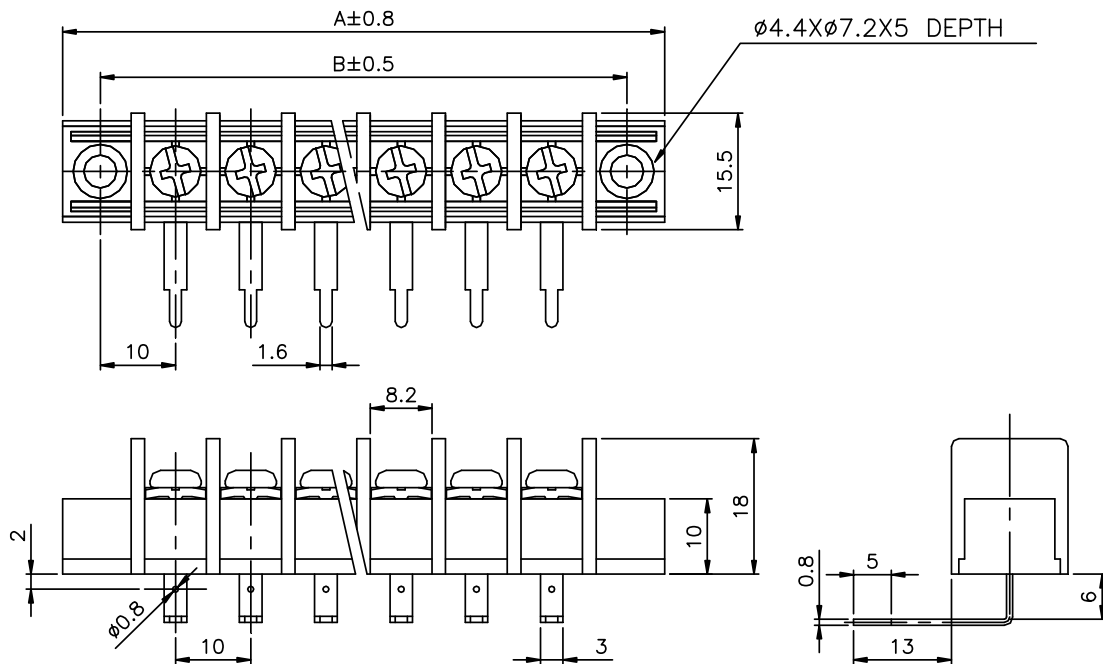
ETB53061**

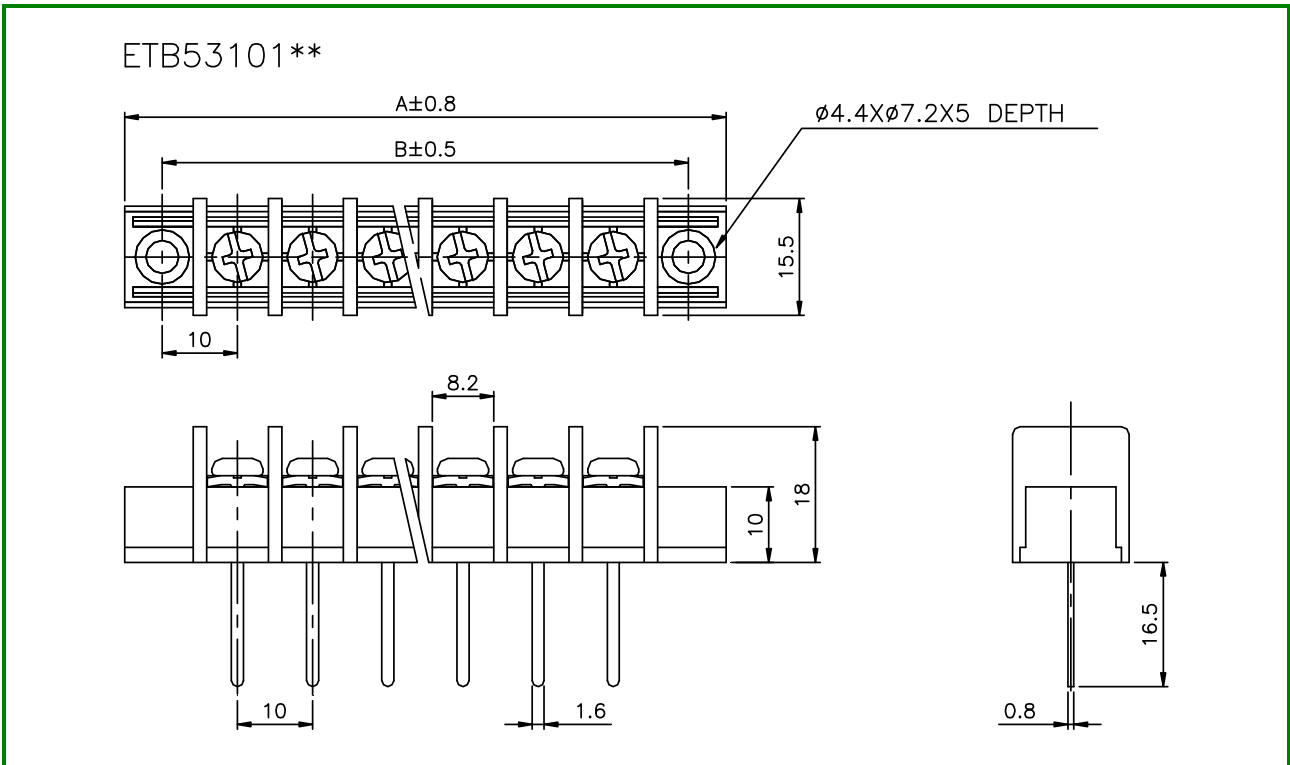


ETB53081**



ETB53091**





mm to inch

mm	0.8	1.6	2	2.8	3	3.5	3.6	4.4	5	5.5	6	7.2	8.2	10	12.5
inch	0.031	0.063	0.079	0.110	0.118	0.138	0.142	0.173	0.197	0.217	0.236	0.283	0.323	0.394	0.492
mm	13	15.5	16.5	17.5	18	26.5									
inch	0.512	0.610	0.650	0.689	0.709	1.043									

DIMENSIONS OF MOUNT TYPE

**NUMBER OF POLE 02~30.

POLE DIM.	2	3	4	5	6	7	8	9	10	11	12
A±0.8	40 (1.575)	50 (1.969)	60 (2.362)	70 (2.756)	80 (3.150)	90 (3.543)	100 (3.937)	110 (4.331)	120 (4.724)	130 (5.118)	140 (5.512)
B±0.5	30 (1.181)	40 (1.575)	50 (1.969)	60 (2.362)	70 (2.756)	80 (3.150)	90 (3.543)	100 (3.937)	110 (4.331)	120 (4.724)	130 (5.118)
POLE DIM.	13	14	15	16	17	18	19	20	21	22	23
A±0.8	150 (5.906)	160 (6.299)	170 (6.693)	180 (7.087)	190 (7.480)	200 (7.874)	210 (8.268)	220 (8.661)	230 (9.055)	240 (9.449)	250 (9.843)
B±0.5	140 (5.512)	150 (5.906)	160 (6.299)	170 (6.693)	180 (7.087)	190 (7.480)	200 (7.874)	210 (8.268)	220 (8.661)	230 (9.055)	240 (9.449)
POLE DIM.	24	25	26	27	28	29	30				
A±0.8	260 (10.236)	270 (10.630)	280 (11.024)	290 (11.417)	300 (11.811)	310 (12.205)	320 (12.598)				
B±0.5	250 (9.843)	260 (10.236)	270 (10.630)	280 (11.024)	290 (11.417)	300 (11.811)	310 (12.205)				



Terminal Block

DIMENSIONS OF BARRIER TYPE

**NUMBER OF POLE 02~32.

POLE DIM.	2	3	4	5	6	7	8	9	10	11	12
A±0.8	22 (0.866)	32 (1.260)	42 (1.654)	52 (2.047)	62 (2.441)	72 (2.835)	82 (3.228)	92 (3.622)	102 (4.016)	112 (4.409)	122 (4.803)
B±0.5	10 (0.394)	20 (0.787)	30 (1.181)	40 (1.575)	50 (1.969)	60 (2.362)	70 (2.756)	80 (3.150)	90 (3.543)	100 (3.937)	110 (4.331)
POLE DIM.	13	14	15	16	17	18	19	20	21	22	23
A±0.8	132 (5.197)	142 (5.591)	152 (5.984)	162 (6.378)	172 (6.772)	182 (7.165)	192 (7.559)	202 (7.953)	212 (8.346)	222 (8.740)	232 (9.134)
B±0.5	120 (4.724)	130 (5.118)	140 (5.512)	150 (5.906)	160 (6.299)	170 (6.693)	180 (7.087)	190 (7.480)	200 (7.874)	210 (8.268)	220 (8.661)
POLE DIM.	24	25	26	27	28	29	30	31	32		
A±0.8	242 (9.528)	252 (9.921)	262 (10.315)	272 (10.709)	282 (11.102)	292 (11.496)	302 (11.890)	312 (12.283)	322 (12.677)		
B±0.5	230 (9.055)	240 (9.449)	250 (9.843)	260 (10.236)	270 (10.630)	280 (11.024)	290 (11.417)	300 (11.811)	310 (12.205)		