



NEOCENE

2T4235 | SPECIFICATION



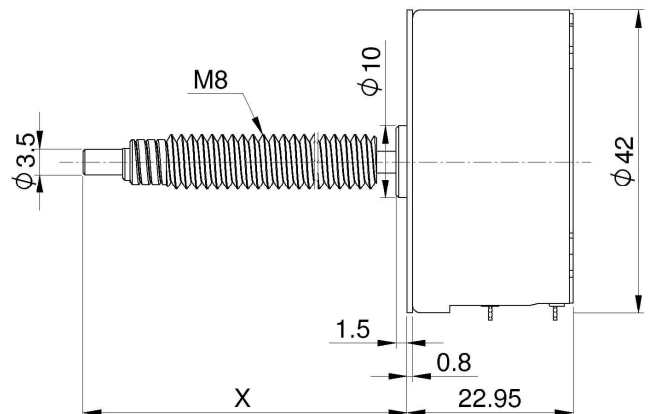
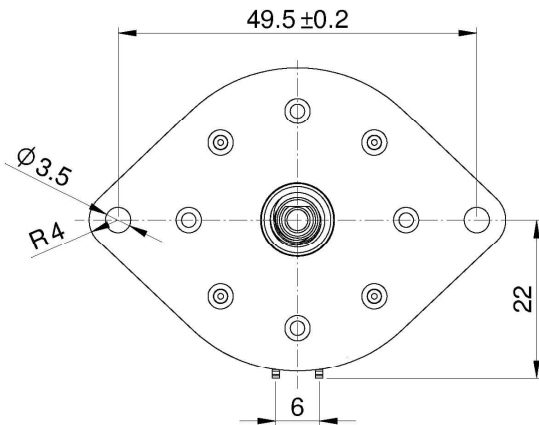
SUMMARY

- Circular Motion change to Linear Motion
- Customizable Shaft Stroke Length
- High Precision Linear Transmission Output
- High Torque Linear Transmission Output

USES

- Automatic Inspection Equipment
- Medical Equipment
- Medical syringe
- Robot Control

➤ DIMENSIONS :





NEOCENE

2T4235 | SPECIFICATION

Item	2T4235
Standard voltage	24V
Standard Current	700 mA/Phase
Number of phase	4 Phase
Step angles	7.5° / Step
Excitation	2-2 Bipolar
Force	7 kgf or more / 400 pps
Holding torque	1300 g-cm or more
Resistance per phase	8.8 Ω
Max pull-out pulse rate	720 pps or more
Max pull-in pulse rate	680 pps or more

➤ CHARACTERISTICS :

24V

