



NEOCENE

2T1513 | SPECIFICATION



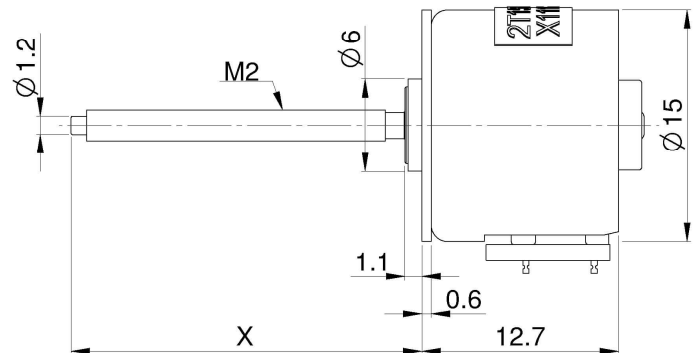
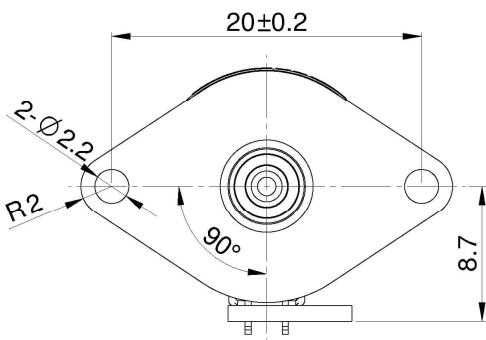
SUMMARY

Circular Motion change to Linear Motion
Customizable Shaft Stroke Length
High Precision Linear Transmission Output

USES

Automatic Inspection Equipment
Medical Equipment
Medical syringe

➤ DIMENSIONS :





NEOCENE

2T1513 | SPECIFICATION

Item	2T1513
Standard voltage	12V
Standard Current	200 mA/Phase
Number of phase	4 Phase
Step angles	18° / Step
Excitation	2-2 Bipolar
Force	900 gf or more / 900 pps
Holding torque	36 g-cm or more
Resistance per phase	23 Ω
Max pull-out pulse rate	2500 pps or more
Max pull-in pulse rate	1200 pps or more

➤ CHARACTERISTICS :

12V

