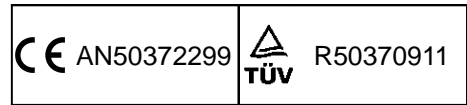


RELAY SOCKET PLF SERIES

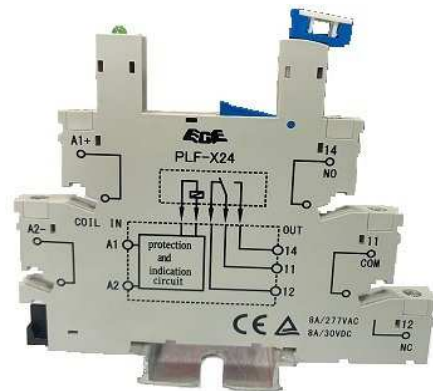


FEATURES

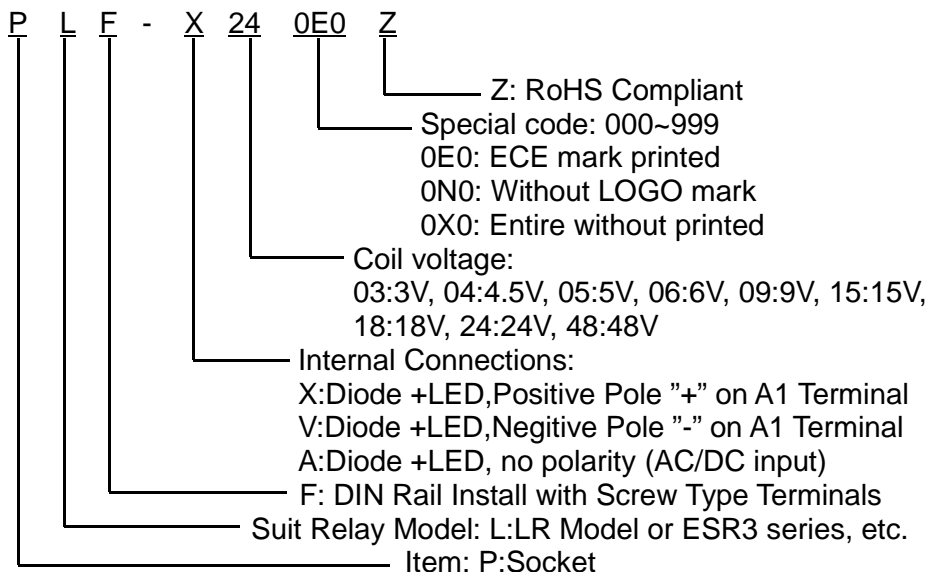
- For use with a LR relay or the same design of solid-state relays
- 6.2mm slim size with 8 Amp rated load
- DIN Rail Install with Screw Type Terminals
- With finger protection device

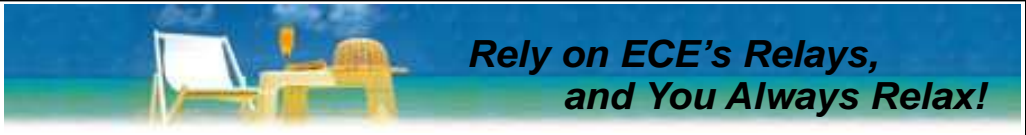
SPECIFICATIONS

- Rating: 8 Amp, 277 VAC
- Dielectric strength: 2500 VAC for 60 sec Min.
- Insulation resistance: 1000 MΩ at 500 VDC
- Plug-in Force: 25-35N
- Pull-out Force: 5-15N
- Wire range: 10 AWG to 18 AWG
- Vibration: 10Hz~55Hz, Double amplitude 1.0mm
- Service life: Number of plug-in and draw-out 500 times
- Operating Temperature: -40°C to 105°C
(depending on the application / assembly)
- Storage Temperature: 0°C to 40°C
- Storage Humidity: 20% R.H. to 80% R.H.
- Storage Environment: Storage no harmful gas
Storage prevent from direct sun-light



PART NUMBER SYSTEM





Rely on ECE's Relays,
and You Always Relax!

DRAWING

