

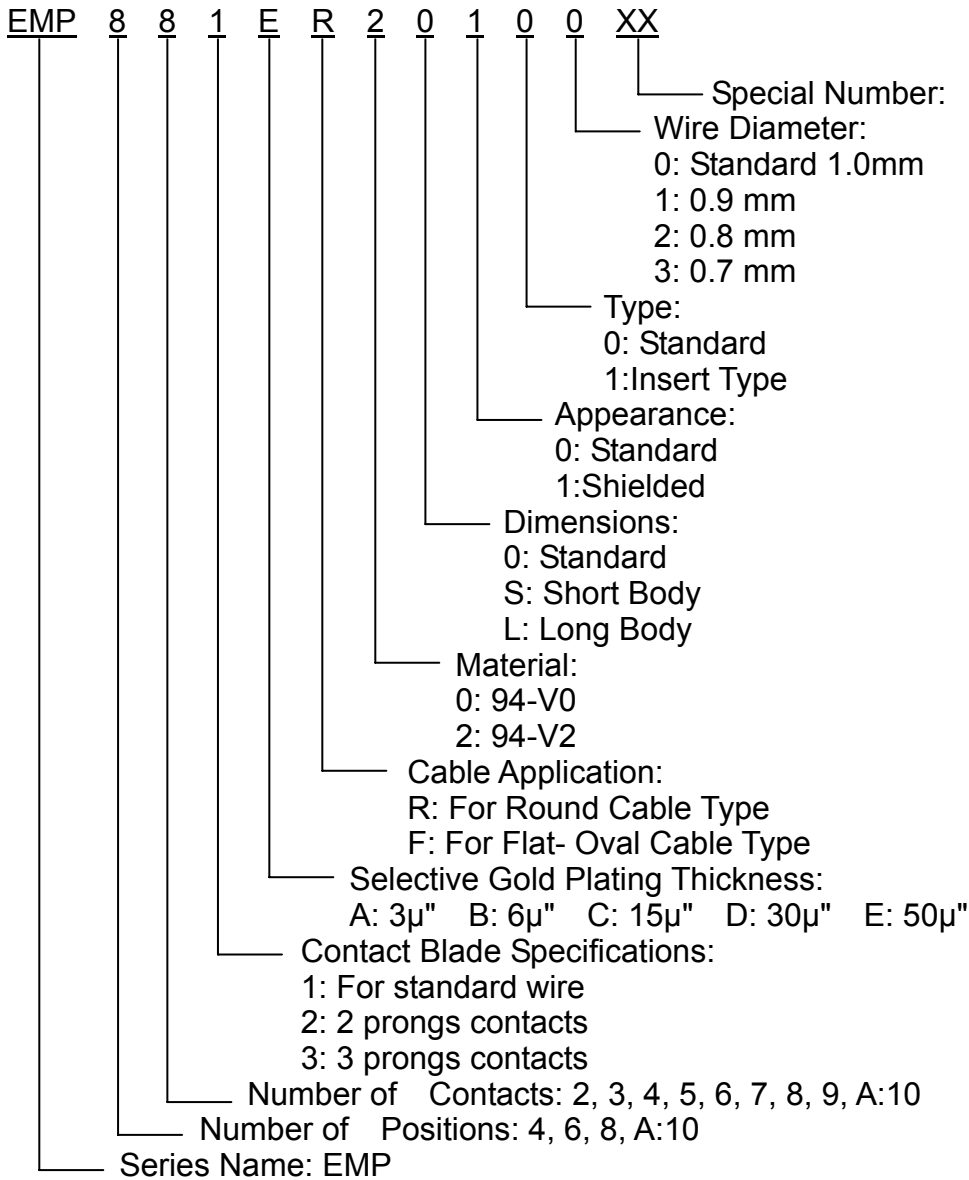
MODULAR PLUG EMP SERIES

FEATURES

- Available for round and flat-oval cable.
- Plug are available for solid wire 24-26 AWG.
- Available for non-shielded and shielded configurations to avoid EMI/RFI
- Deliver speeds up to 100 MHz.



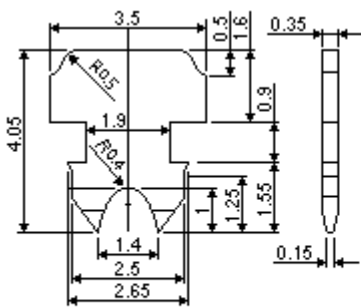
PART NUMBERING SYSTEM



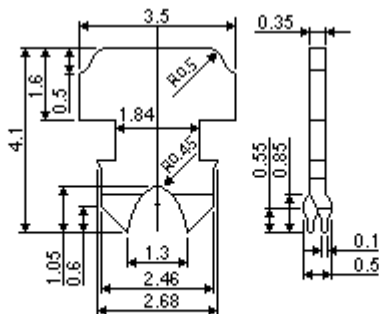
■ SPECIFICATIONS

<p>◆ Electric test:</p> <p>A. 150 VAC Max., at 1.5 Amps. B. Dielectric with standing 500 VAC. C. Insulation Resistance: 500 MΩ. D. Termination Resistance: 35 mΩ.</p>	<p>◆ Material and Finished:</p> <p>Housing: Polycarbonate, UL94-V0 UL94-V2 Contact: Phosphor bronze, selective gold plated in contact area over 100μ" nickel plated. Shield: Nickel plated, brass.</p>
<p>◆ Mechanical:</p> <p>Cable-to-plug tensile strength-20LBs(89N) Min.. Durability: 500 mating cycles.</p>	<p>◆ Operating Temperature:</p> <p>-40°C~ +125°C</p>

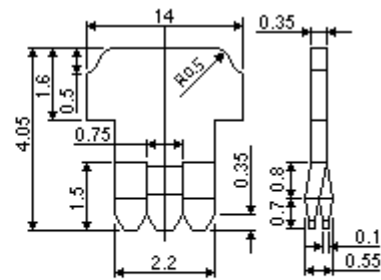
■ CONTACT BLADE



FOR STRANDED WIRE



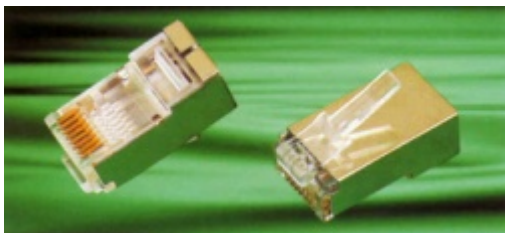
FOR SOLID WIRE
2 PRONGS CONTACTS



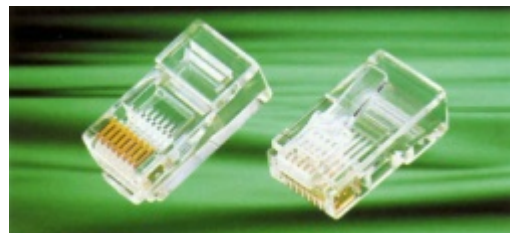
FOR SOLID WIRE
3 PRONGS CONTACTS

■ DIMENSIONS

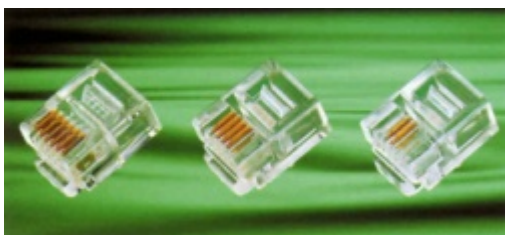
◆ EMP 8 POSITION SHIELDED



◆ EMP 8 POSITION [8P8C,8P6C,8P4C]...



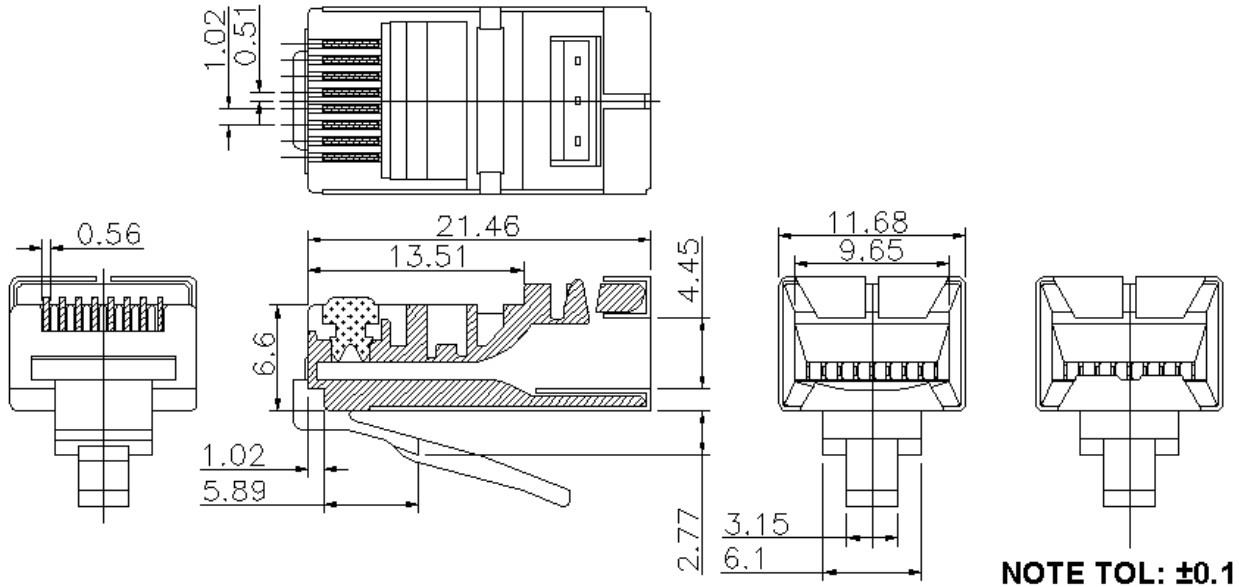
◆ EMP 6 POSITION [6P6C,6P4C,6P2C]...



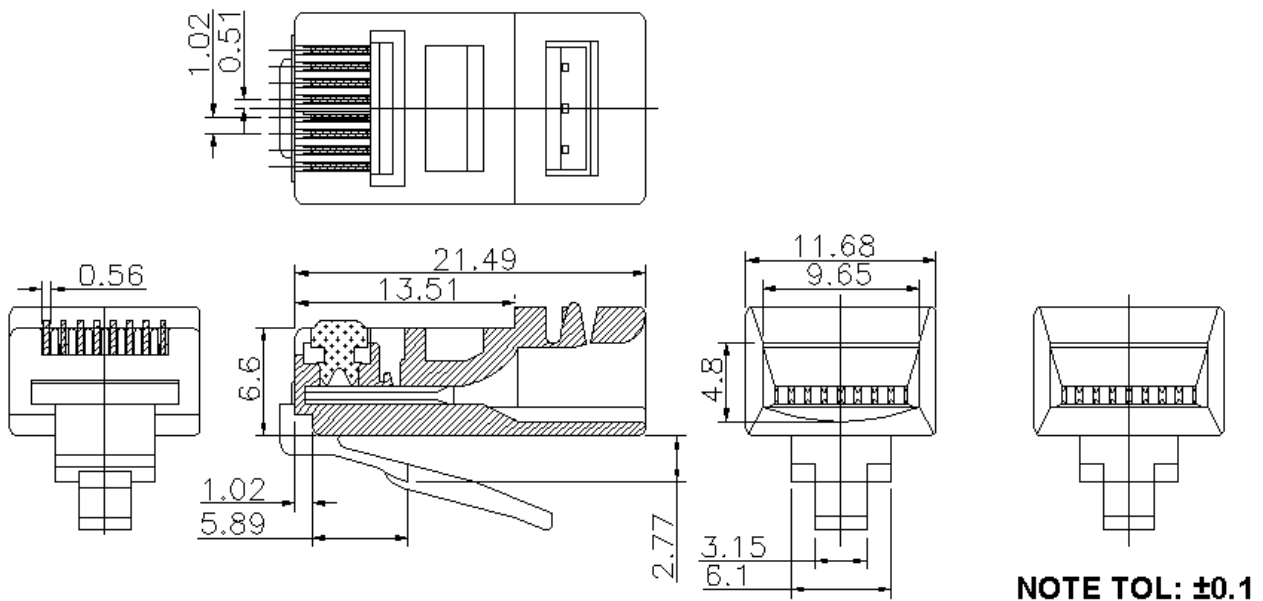
◆ EMP 4 POSITION [4P4C,4P2C]...



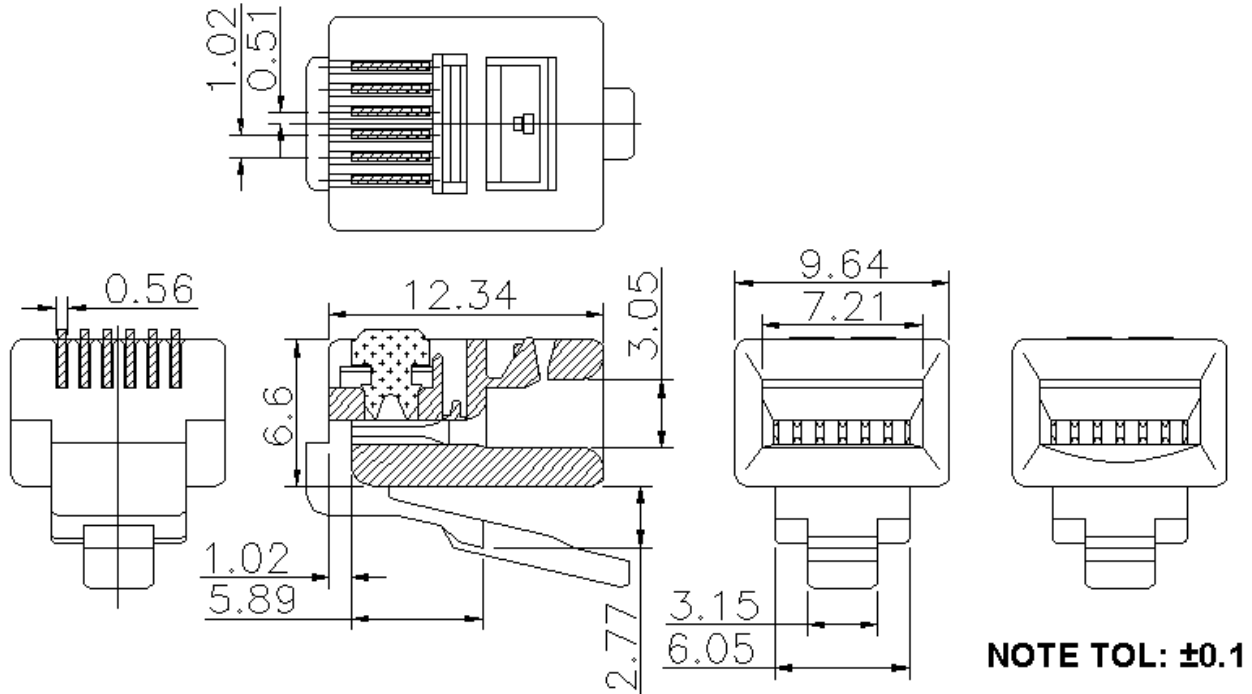
EMP 8 POSITION SHIELDED



EMP 8 POSITION [8P8C,8P6C,8P4C]



EMP 6 POSITION [6P6C,6P4C,6P2C]



EMP 4 POSITION [4P4C,4P2C]

