



DC POWER JACKS EPJ3 SERIES

■ FEATURES

- Compact design
- Applied on audio systems and electronic apparatus
- All materials are UL 94V-O grade fire retardant plastics
- Applied on the high temperature plastic for reflow soldering process

■ SPECIFICATIONS

- Contact rating: Rated Voltage: 5VDC
Rated Current: 2A, DC
- Temperature rating: Operating temperature range: -25°C ~ +85°C

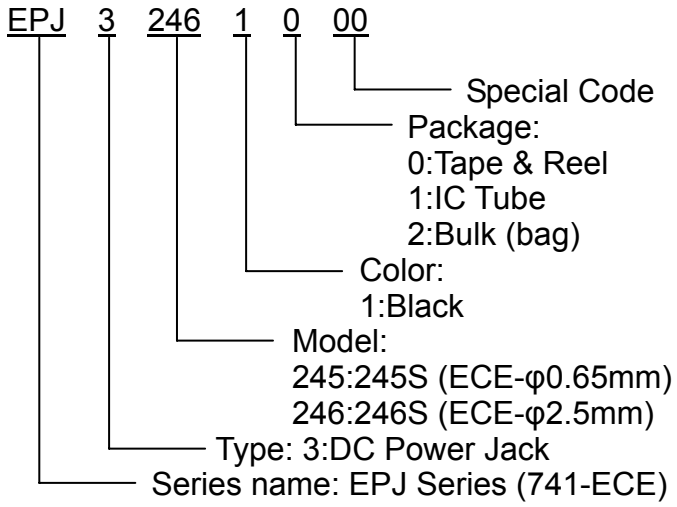
1. ELECTRICAL

No.	Test description	Requirement	Test method
1	Insulation resistance	100MΩ min.	(1)Test voltage: 250±10VDC (2)Point: Between open contact.
2	Dielectric strength	No disruptive discharge Leakage current: 2mA max.	(1)Test voltage: 250VAC (2)Duration: 60 sec. (3)Point: Between open contact.
3	Contact resistance	PLUG TO CONTACT: Initial: 50MΩ max. After life: 100MΩ max. CONTACT TO SHUNT: Initial: 30MΩ max. After life: 60MΩ max	(1)4 terminals method (2)Test current: 1A, DC

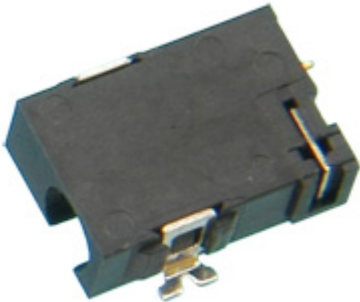
2. MECHANICAL

No.	Test description	Requirement	Test method
1	Mating/unmating force	Initial: 0.3~2.0Kgf (3~20N) max. After life: 0.2~2.0Kgf (2~20N) max.	To measure necessary for plug and jack mating/unmating
2	Terminal strength	Any outstanding damage shall not be found. Bend of terminal is acceptable.	Test condition: 0.5kgf(5N) 10sec.

■ PART NUMBERING SYSTEM



EPJ324510

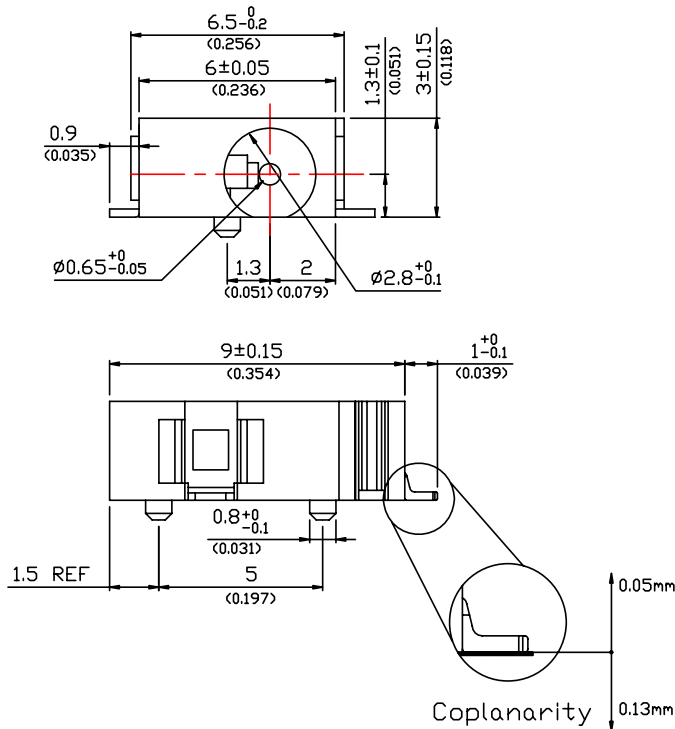


EPJ32461000

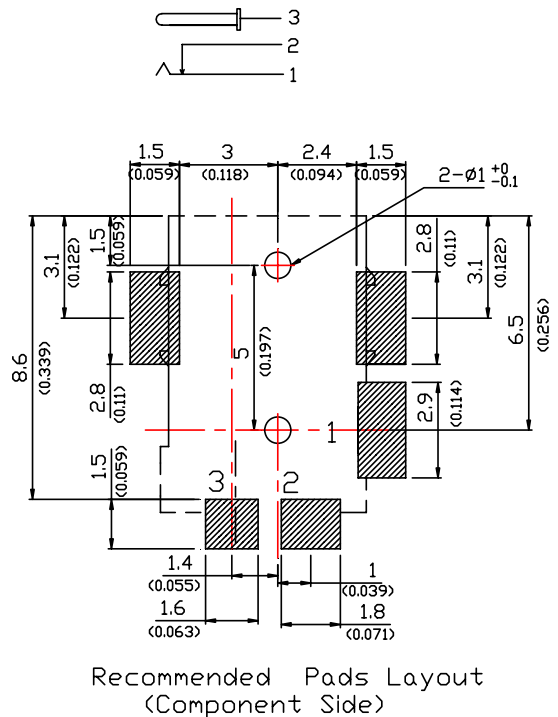


■ DIMENSIONS UNIT:mm(inch)

EPJ324510



SCHEMATIC



EPJ32461000

